


Number of contacts

3

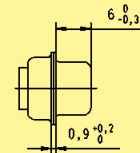
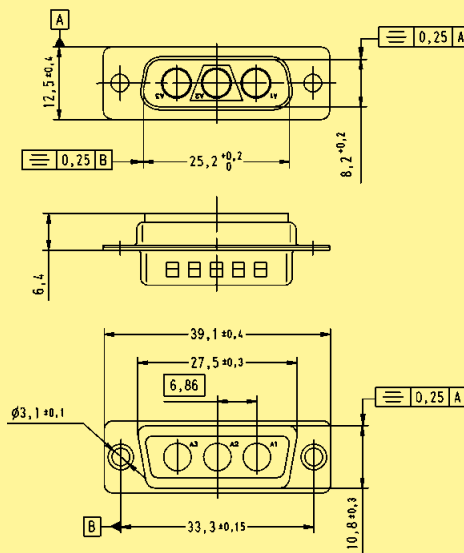


Coded shells without signal contacts for cable applications

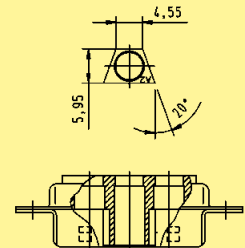
Identification	No. of contacts ¹⁾	Part No.	
		male connector	female connector
	3W3C	09 69 210 0633	09 69 200 0633

D-Sub - M

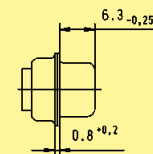
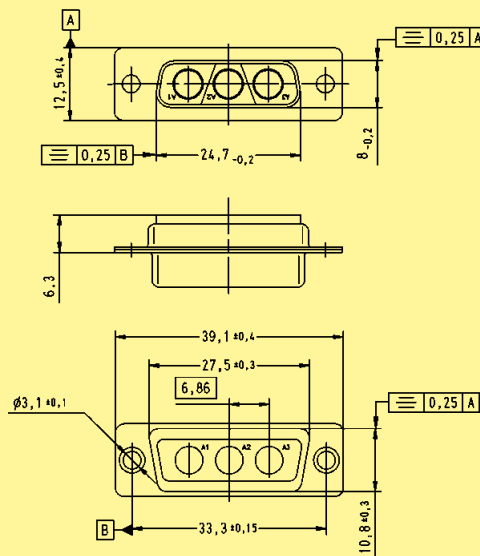
Male connectors



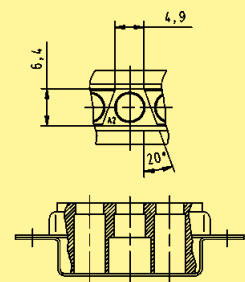
detail: polarization feature



Female connectors



detail: polarization feature



Dimensions in mm

¹⁾ Explanations see page 04.03
 Board drillings see pages 04.30 ff
 Order special contacts separately. See pages 04.21 ff