

Number of contacts

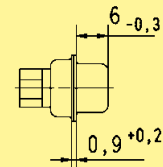
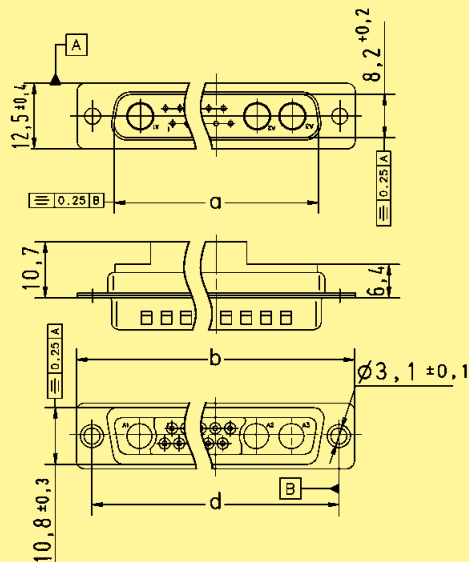
# 13-25



Mixed shells for signal crimp contacts

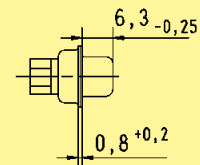
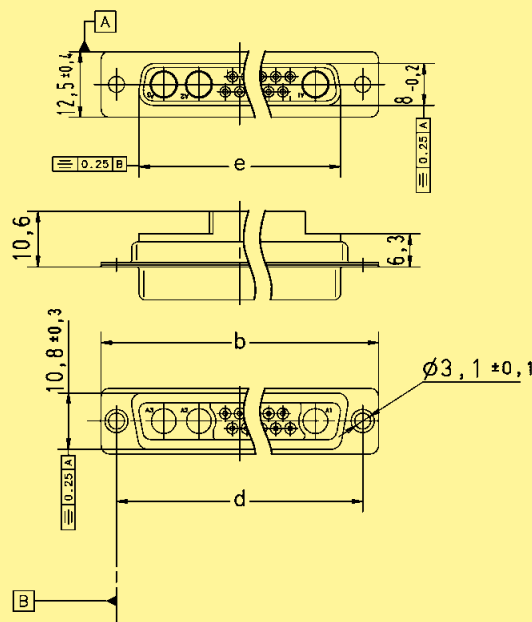
Identification	No. of contacts <sup>1)</sup>	Part No.	
		male connectors	female connectors
	13W3	09 69 312 0133	09 69 302 0133
	25W3	09 69 412 0253	09 69 402 0253

### Male connectors



	a	b	d	e
13W3	38.9	53.0	47.04	38.5
25W3	55.3	69.3	63.50	54.9

### Female connectors



Dimensions in mm

D-Sub - M

<sup>1)</sup> Explanations see page 04.03  
 Board drillings see pages 04.30 ff  
 Order special contacts separately. See pages 04.21 ff