

Number of contacts

36

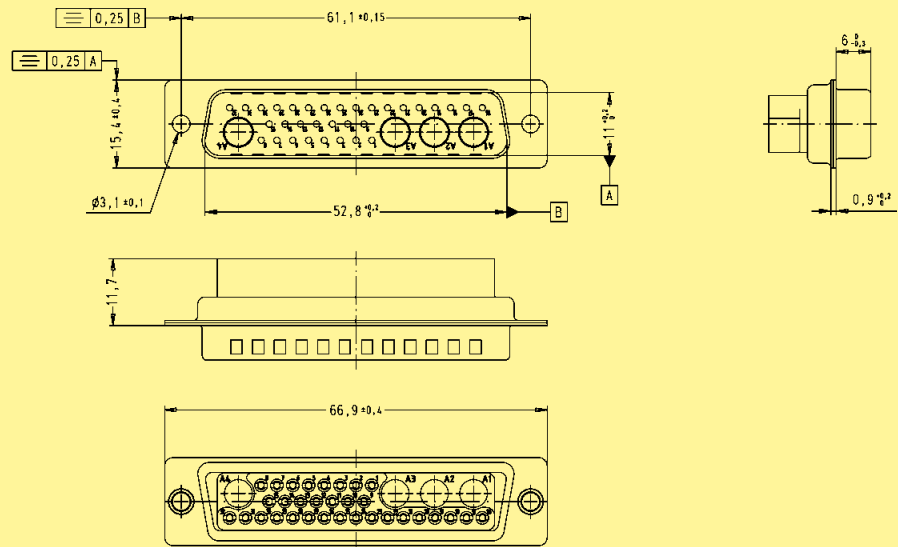


Mixed shells for signal crimp contacts

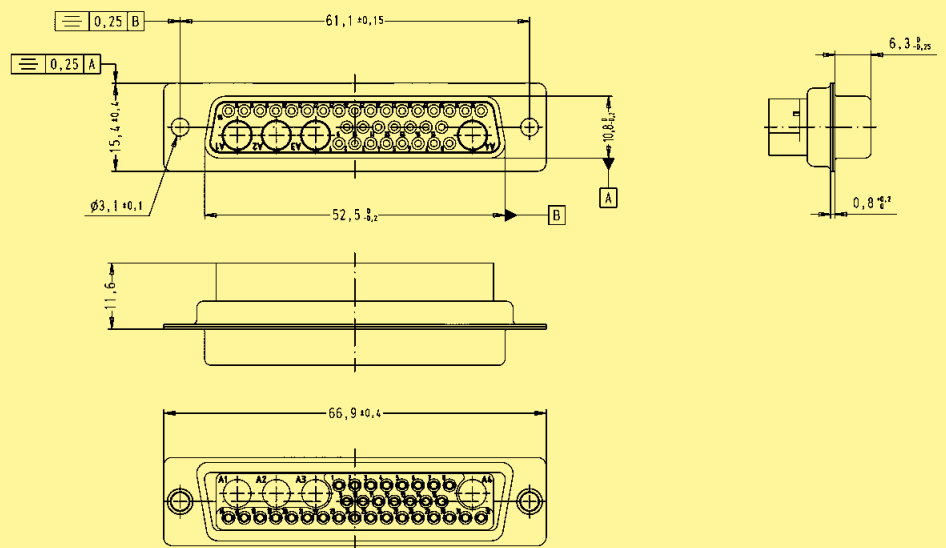
| Identification | No. of contacts ¹⁾ | Part No. | |
|--|-------------------------------|----------------|------------------|
| | | male connector | female connector |
|  | 36W4 | 09 69 512 0364 | 09 69 502 0364 |

D-Sub - M

Male connectors



Female connectors



Dimensions in mm

¹⁾ Explanations see page 04.03
 Board drillings see pages 04.30 ff
 Order special contacts separately. See pages 04.21 ff