

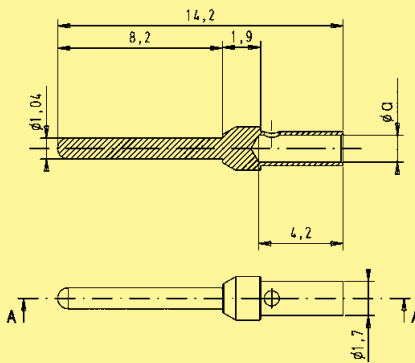


Turned crimp contacts

| Identification | Wire gauge (mm ²) | Part No. | | |
|-----------------------------------|-------------------------------|----------------------|----------------------|--------------------------|
| | | Male contacts | Female contacts | High-end female contacts |
| | | Performance level 1* | Performance level 1* | Performance level 1* |
| Individual contacts ¹⁾ | AWG 22-18 0.33-0.82 | 09 67 000 3576 | 09 67 000 3476 | 09 67 000 3676 |
| | AWG 24-20 0.25-0.52 | 09 67 000 8576 | 09 67 000 8476 | 09 67 000 8676 |
| | AWG 26-22 0.13-0.33 | 09 67 000 5576 | 09 67 000 5476 | 09 67 000 5676 |
| | AWG 28-24 0.09-0.25 | 09 67 000 7576 | 09 67 000 7476 | 09 67 000 7676 |

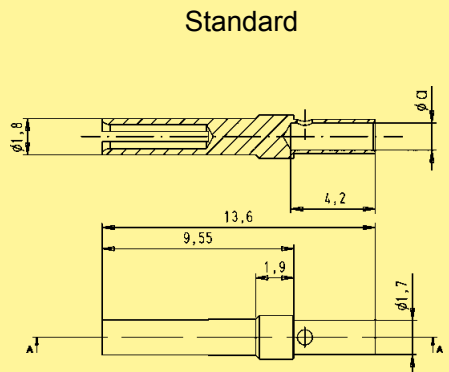
¹⁾ Minimum order 100 pieces or multiples of 100

Male contacts

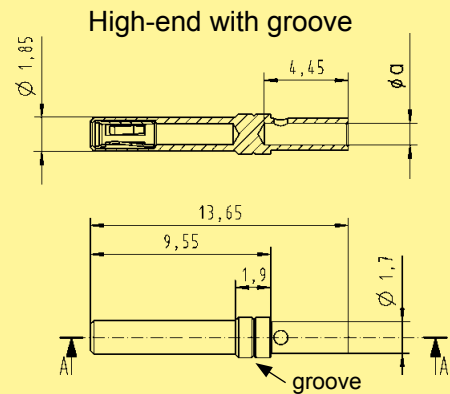


| | a | groove |
|-----------|------|--------|
| AWG 22-18 | 1.34 | none |
| AWG 24-20 | 1.13 | 1 |
| AWG 26-22 | 0.88 | 2 |
| AWG 28-24 | 0.64 | 3 |

Female contacts



Standard



High-end with groove

* Performance level 1 as per CECC 75 301-802, 500 mating cycles, 10 days 4 mixed gas test – IEC 60 512
Use crimp tool with the part no. 09 99 000 0501 and the locator with the part no. 09 99 000 0531. Details see chapter 31