

Board drillings for connectors with straight pcb contacts

Identification

Drawing

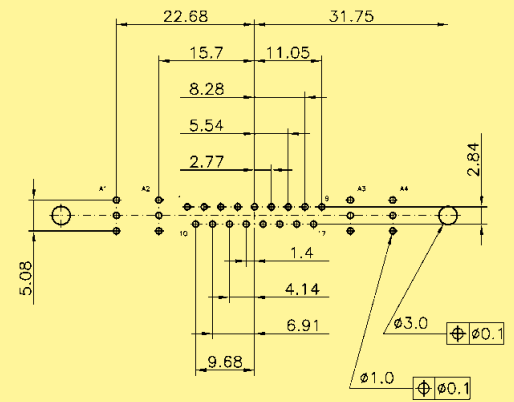
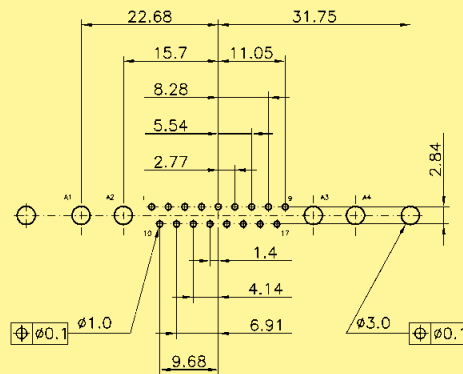
Dimensions in mm

Male connector*

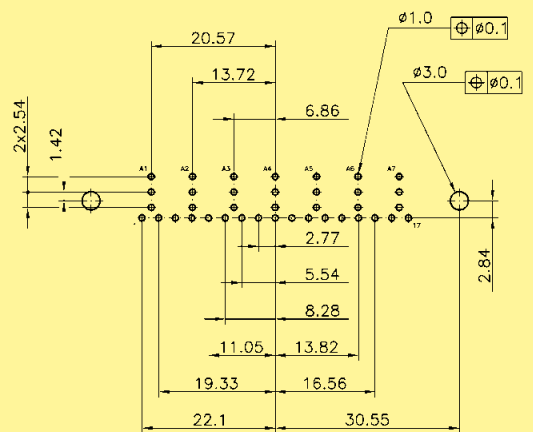
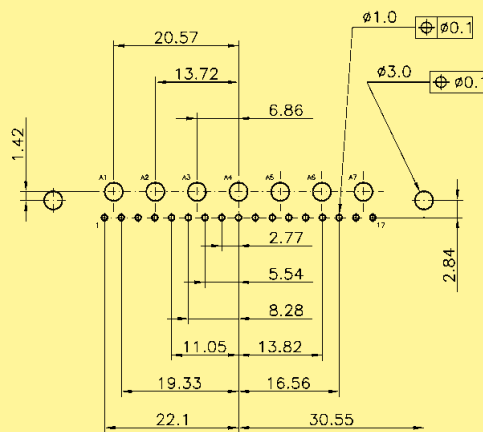
21WA4

Power contact

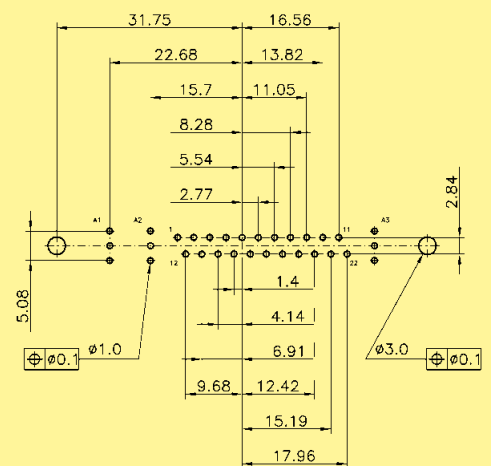
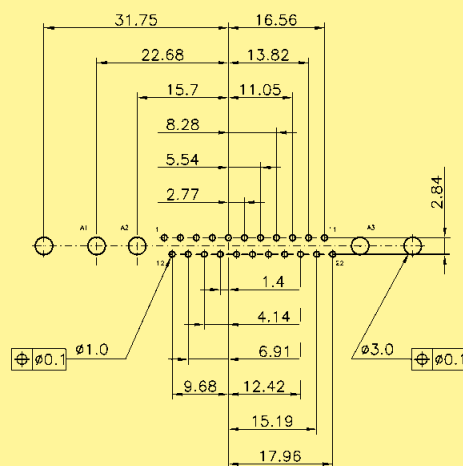
Coaxial contact



24W7



25W3



* When using a female connector with straight pcb contacts the board drilling pattern must be mirrored in the Y axis.