

Board drillings for connectors with straight pcb contacts

Identification

Drawing

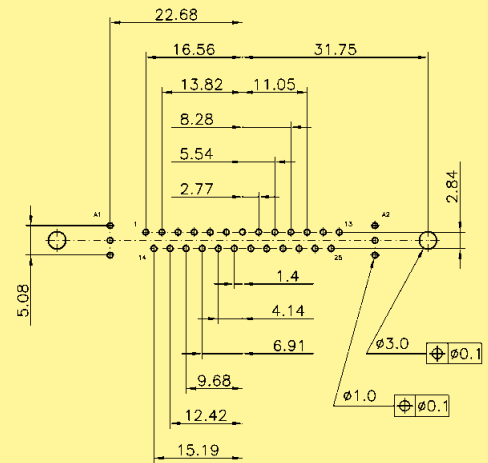
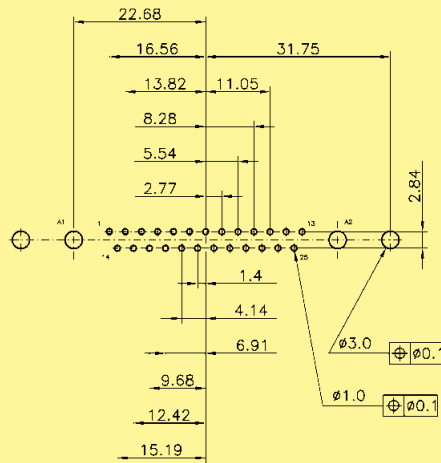
Dimensions in mm

Male connector*

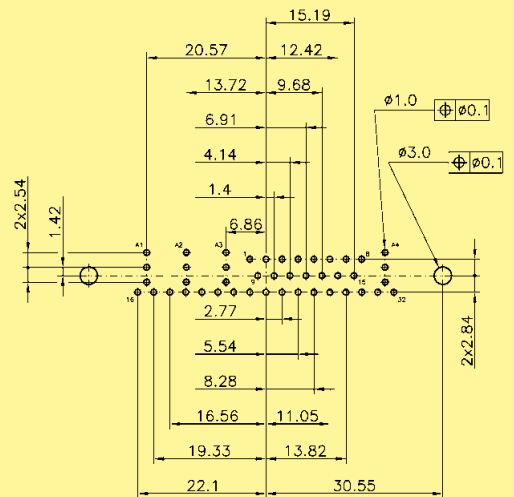
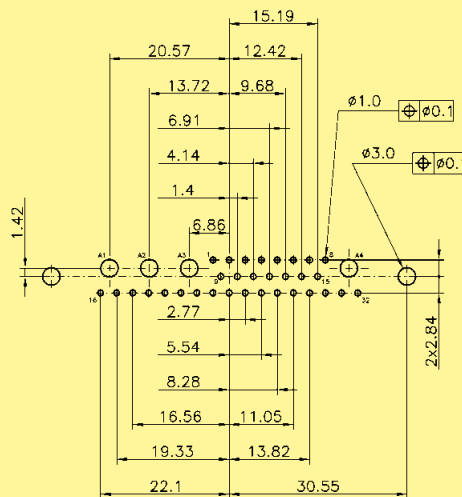
27W2

Power contact

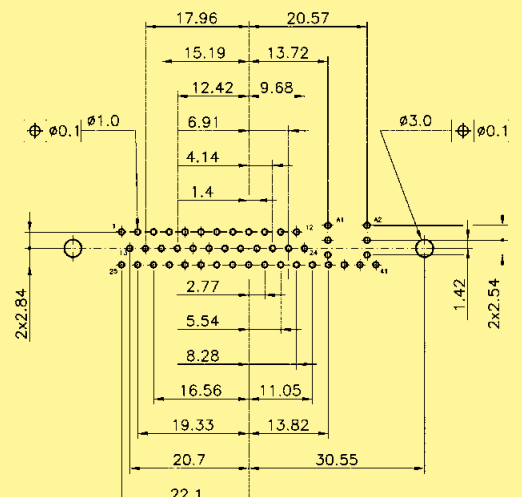
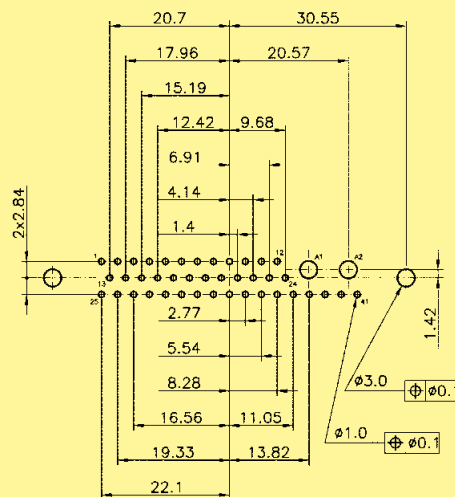
Coaxial contact



36W4



43W2



* When using a female connector with straight pcb contacts the board drilling pattern must be mirrored in the Y axis.