

Board drillings for connectors with right angled pcb contacts

Identification

Drawing

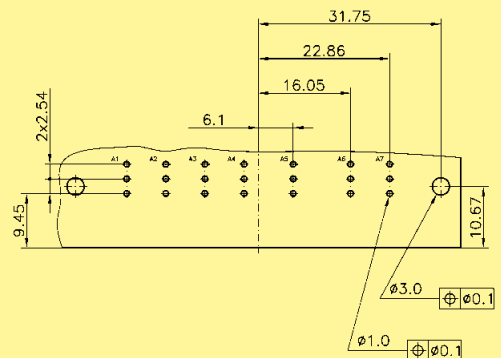
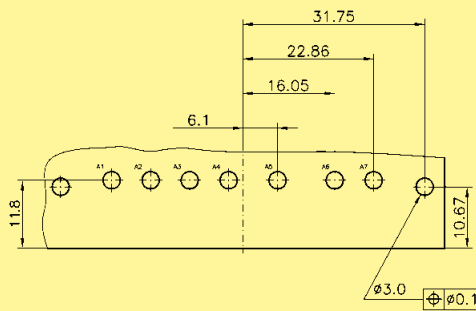
Dimensions in mm

Male connector*

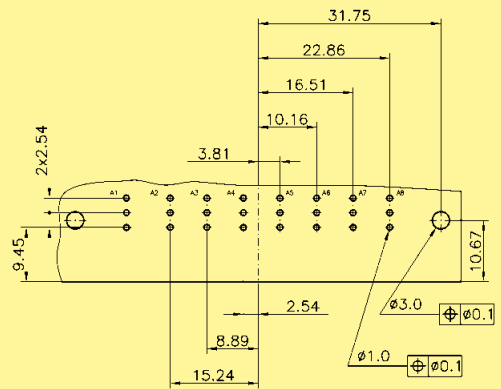
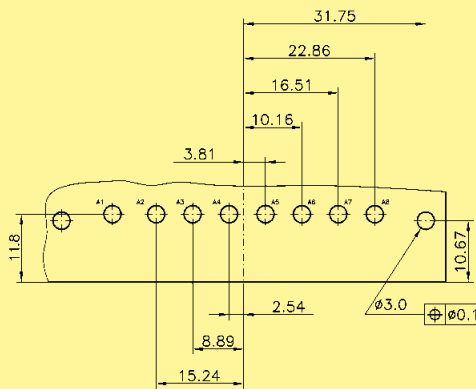
7W7

Power contact

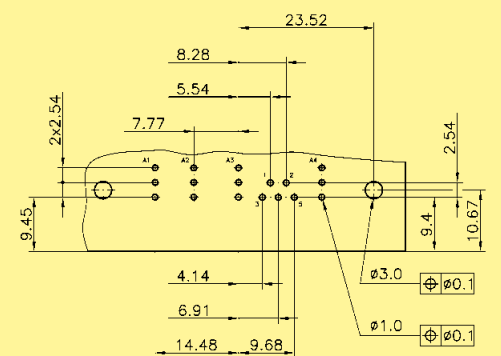
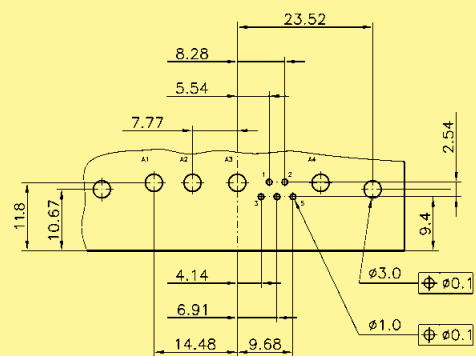
Coaxial contact



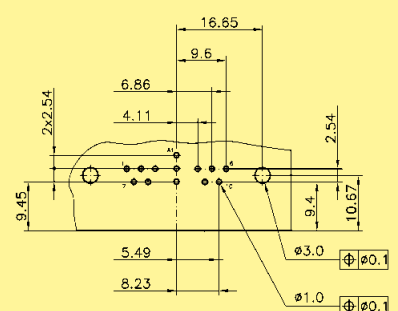
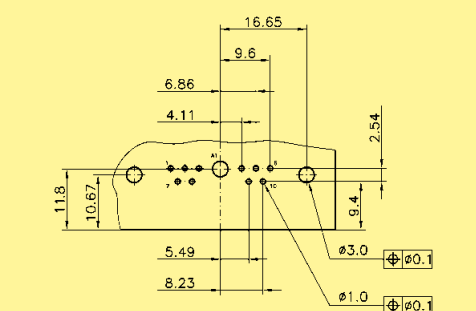
8W8



9W4



11W1



D-Sub - M

* When using a female connector with right angled pcb contacts the board drilling pattern must be mirrored in the Y axis.