

Board drillings for connectors with right angled pcb contacts

Identification

Drawing

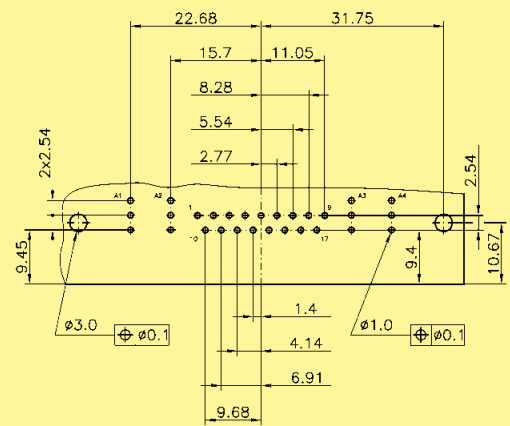
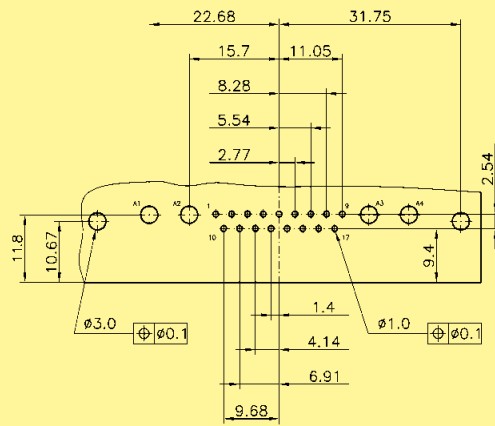
Dimensions in mm

Male connector*

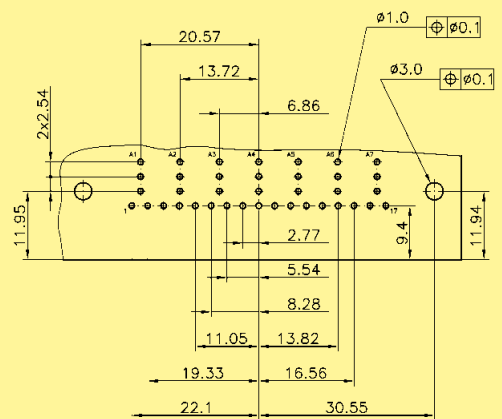
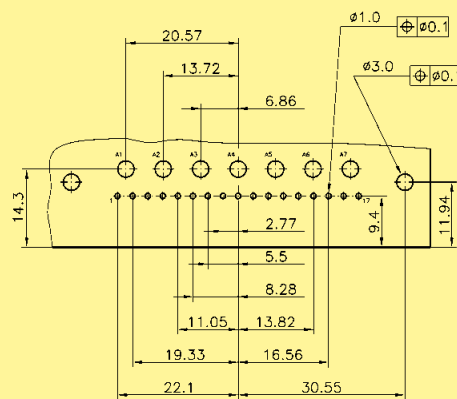
21WA4

Power contact

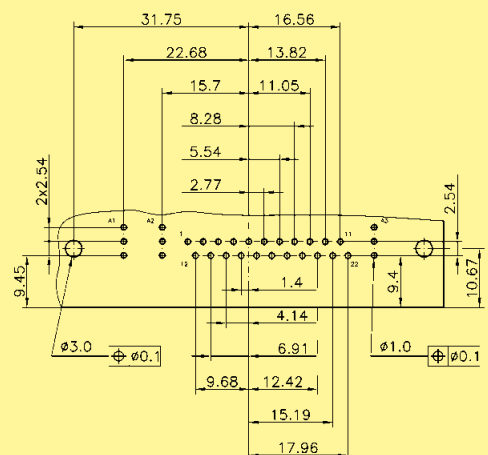
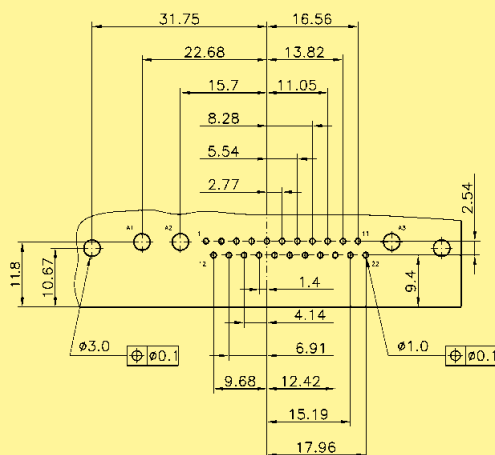
Coaxial contact



24W7



25W3



D-Sub - M

* When using a female connector with right angled pcb contacts the board drilling pattern must be mirrored in the Y axis.