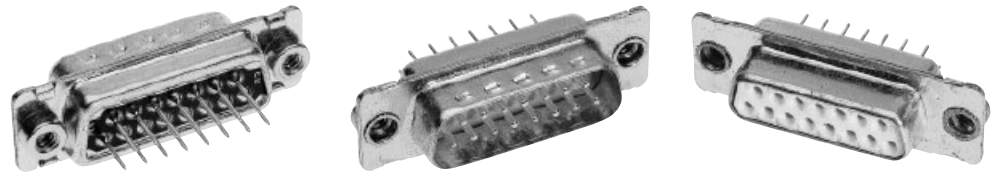


Number of contacts

# 9-37



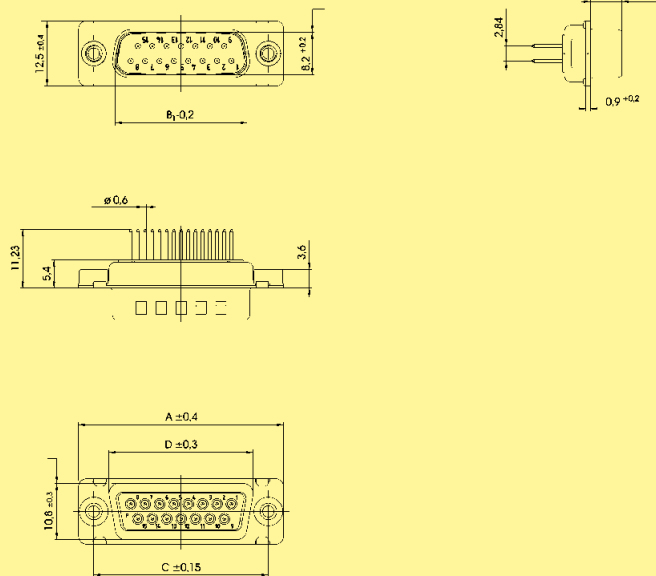
Turned solder pins, straight, clinch nut

Identification

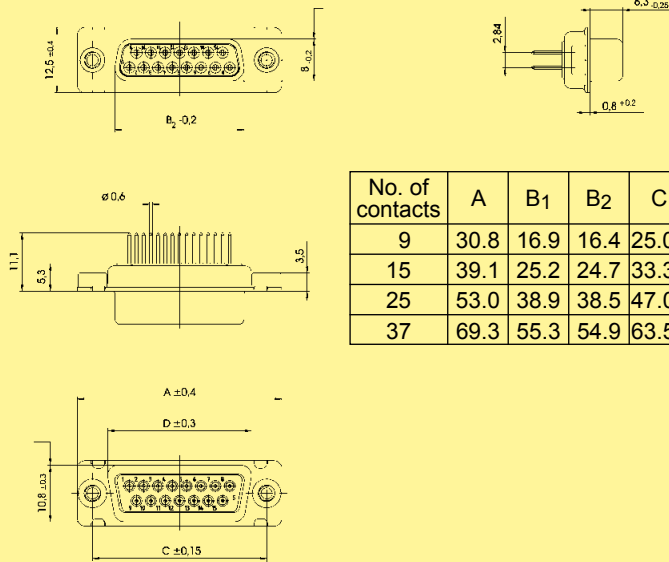
Drawing

Dimensions in mm

Male connector



Female connector



No. of contacts	A	B <sub>1</sub>	B <sub>2</sub>	C	D	E	F	G
9	30.8	16.9	16.4	25.00	19.3	1.37	2.74	12.50
15	39.1	25.2	24.7	33.30	27.5	1.37	2.74	16.65
25	53.0	38.9	38.5	47.04	41.3	1.40	2.77	23.52
37	69.3	55.3	54.9	63.50	57.7	1.40	2.77	31.75

Board drillings

