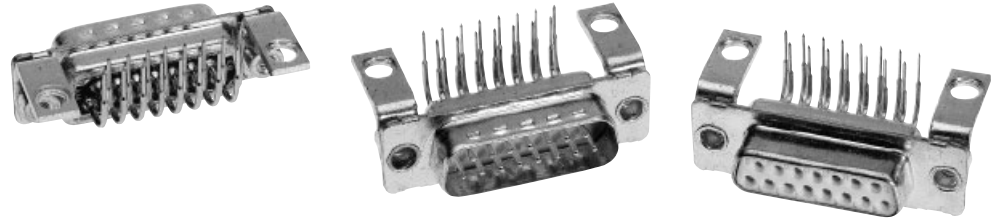


Number of contacts

9-37



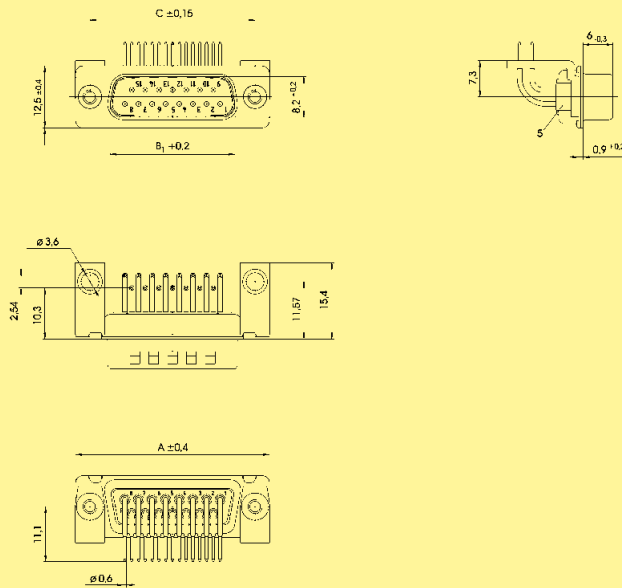
Turned solder pins, right angled, bracket and clinch nut

Identification

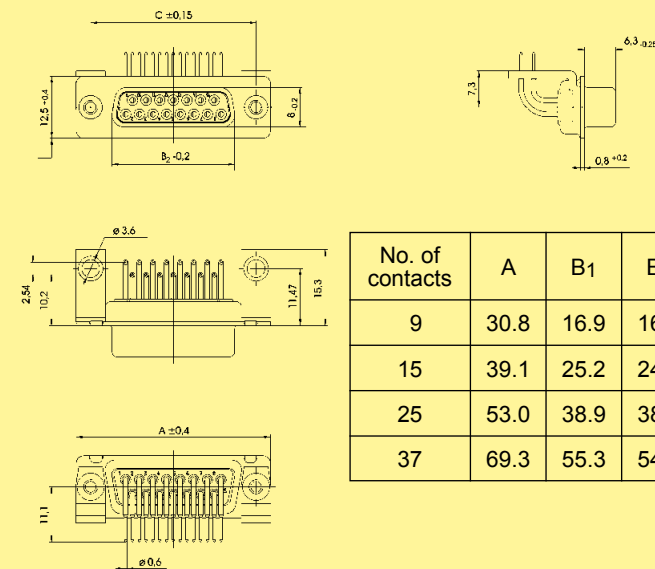
Drawing

Dimensions in mm

Male connector



Female connector



No. of contacts	A	B1	B2	C	E	F
9	30.8	16.9	16.4	25.00	1.37	2.74
15	39.1	25.2	24.7	33.30	1.37	2.74
25	53.0	38.9	38.5	47.04	1.40	2.77
37	69.3	55.3	54.9	63.50	1.40	2.77

Board drillings

