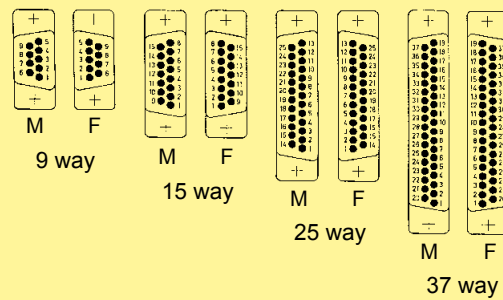


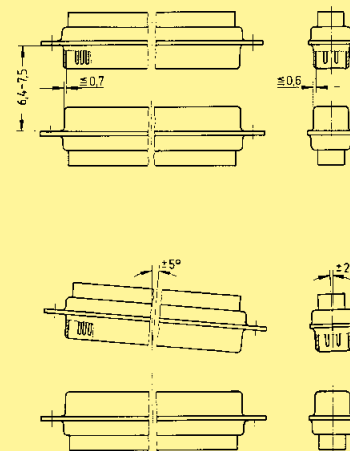
Number of contacts	9, 15, 25, 37
Working current	7.5 A max.
Working voltage	250 V AC max.
Dielectric withstanding voltage	500 V AC for 1 minute
Contact resistance	≤ 15 mΩ
Insulation resistance	≥ 1000 MΩ
Temperature range	-55 °C ... + 105 °C
Terminations	a) Solder buckets AWG 20 b) Solder pins for P.C.B. holes Ø 1 ± 0.05 mm c) Solder pins, angled 90° for P.C.B. holes Ø 1 ± 0.05 mm
Materials	
Insulation	PBT, flame retardant acc. to UL 94-V0
Contacts	Copper alloy
Contact surface	
Performance level	Performance level 3, as per IEC 60807-2, IEC 60512-25-2
Metal shell	Steel (tin-plated)

Contact arrangement  
View from termination side



M = Male connector  
F = Female connector

Mating conditions as per CECC 75 301



Minimum insertion loss

Frequency [MHz]	Attenuation [dB]
1	0.5
10	1.0
50	2.5
100	3.0
500	3.5
1000	4.0