

Number of contacts

9-37



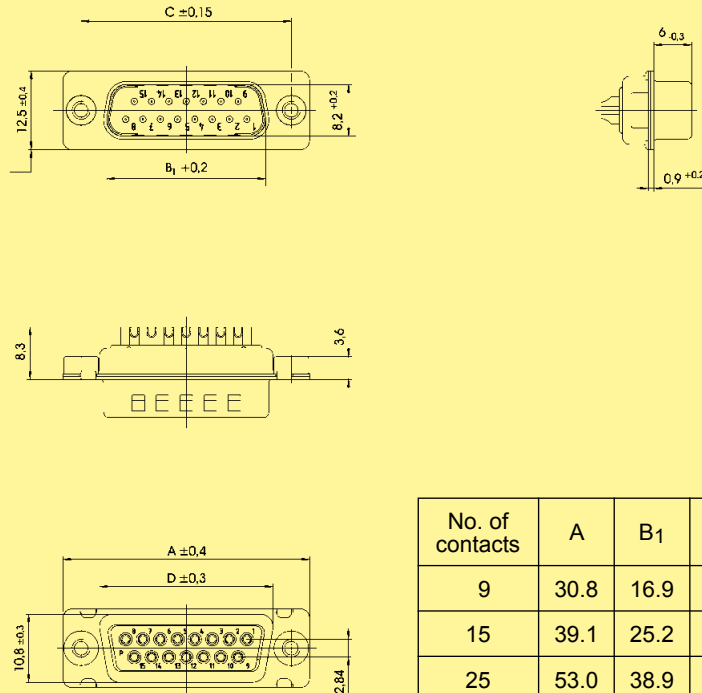
Solder buckets, clinch nut

Identification

Drawing

Dimensions in mm

Male connector



| No. of contacts | A | B ₁ | B ₂ | C | D |
|-----------------|------|----------------|----------------|-------|------|
| 9 | 30.8 | 16.9 | 16.4 | 25.00 | 19.3 |
| 15 | 39.1 | 25.2 | 24.7 | 33.30 | 27.5 |
| 25 | 53.0 | 38.9 | 38.5 | 47.04 | 41.3 |
| 37 | 69.3 | 55.3 | 54.9 | 63.50 | 57.7 |

Female connector

