

Number of contacts

# 9-50



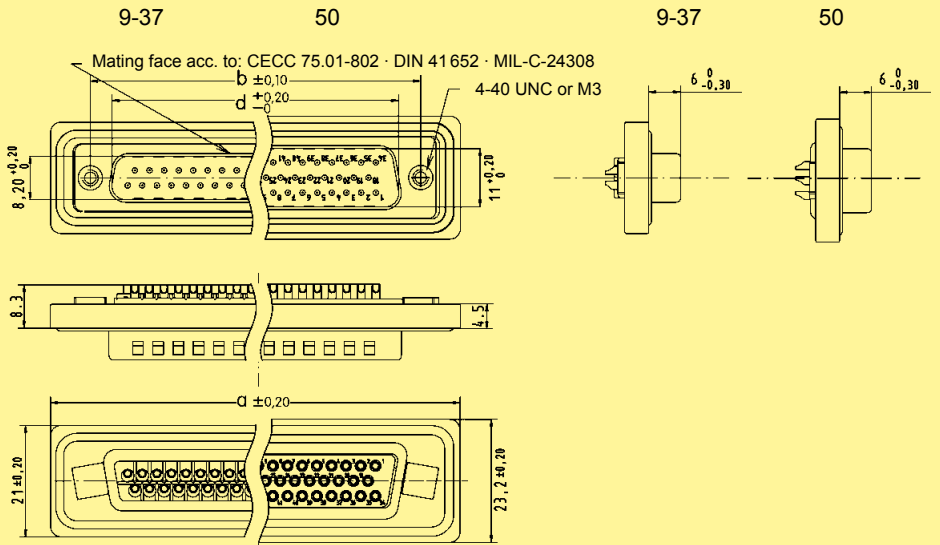
IP 67, turned solder cups, with rear metal mounting plate

Identification

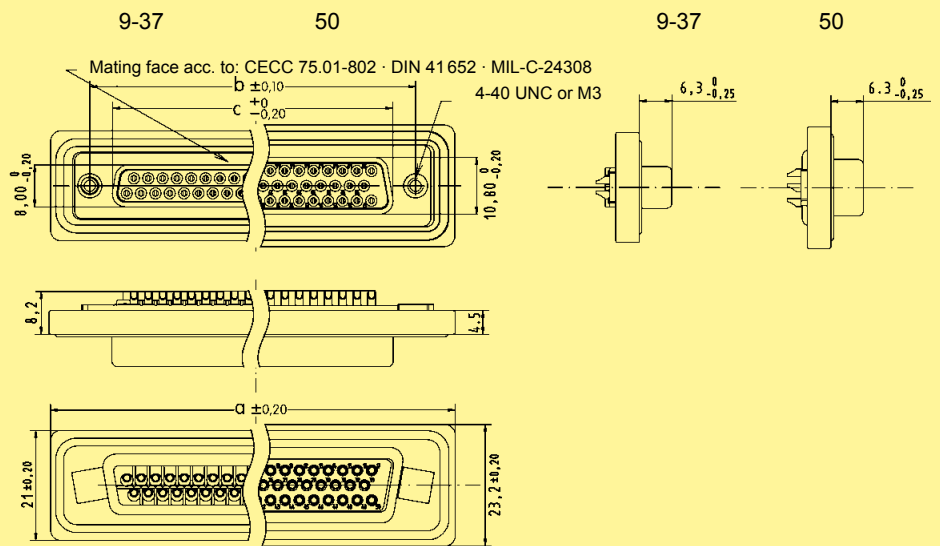
Drawing

Dimensions in mm

**Male connector**  
9 – 50 contacts



**Female connector**  
9 – 50 contacts



	a	b	c	d
9	40,0	25,00	16,4	16,9
15	48,3	33,30	24,7	25,2
25	62,0	47,04	38,5	38,9
37	78,5	63,50	54,9	55,3
50	76,1	61,10	52,5	52,8