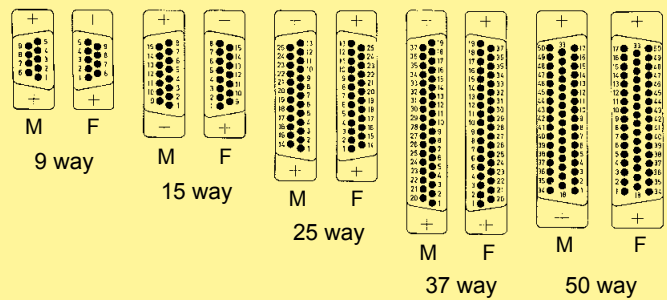
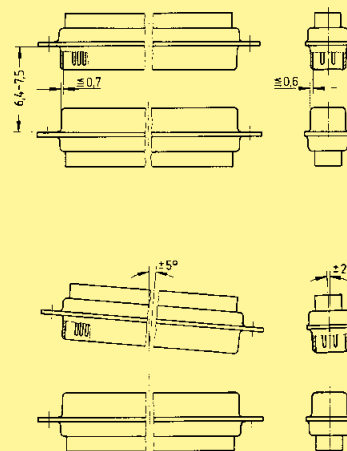


Number of contacts	9, 15, 25, 37, 50 UL recognized
Working current	5 A
Test voltage	1200 V for 1 minute between 2 contacts / contact and shell
Clearance and creepage	≥ 1.0 mm
Contact resistance	
Straight contact	≤ 10 mΩ
Angled contact	≤ 25 mΩ
Angled contact 50 pole	≤ 35 mΩ
Insulation resistance	between contacts ≥ 5000 MΩ
Dielectric strength	50 kV/mm
Temperature range	-25 °C ... +70 °C
Protection	IP 67 (per DIN 40050 / IEC 529)
Termination	
Solder cup	max. AWG 20
Solder pin straight	0.6 mm diameter
Solder pin angled	0.6 mm diameter
Material	
Shell	Brass, tin plated
Insulator and plastic watertight frame	Thermoplastic, glass-fibre filled, UL 94-V0
Metal watertight frame	Nickel plated zinc die cast
Contact material	Machined copper alloy
Contact surface	
Contact zone	S4 = 0.76 μm (30 pinch) Au or PdNi equivalent
Waterproofing element	Silicone
Mechanical	
Mating cycles	≥ 500
Mating force per signal contact	≤ 3.4 N
Unmating force per signal contact	≥ 0.2 N

### Contact arrangement View from termination side



### Mating conditions as per DIN 41 652



D-Sub - W