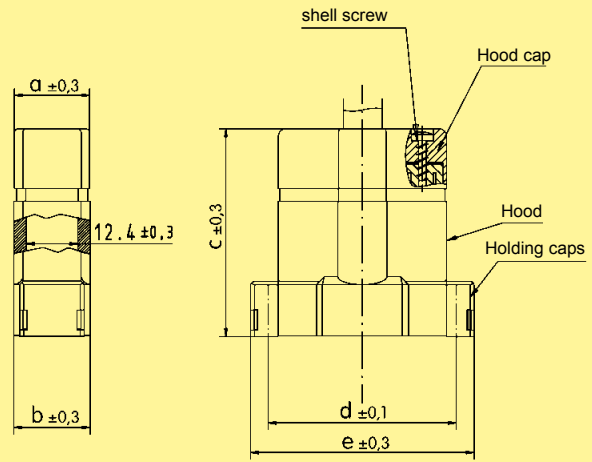


IP 67 plastic hoods
IP 67 metallized plastic hoods

Identification No. of contacts Part No. Drawing Dimensions in mm

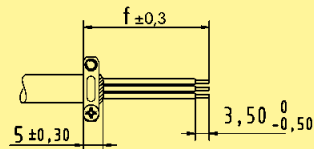
Hood
Black thermoplastic

9 09 67 009 0436
15 09 67 015 0436
25 09 67 025 0436



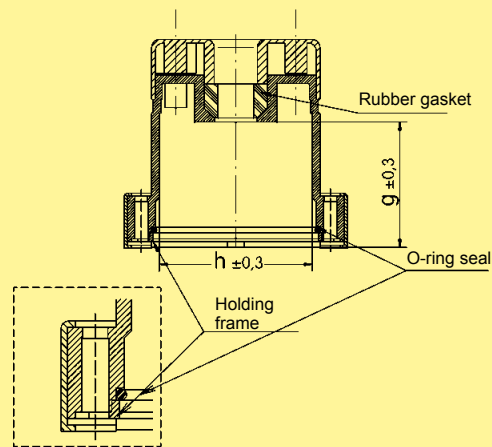
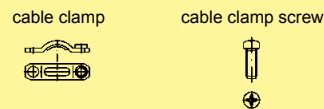
Metallized thermoplastic

9 09 67 009 0437
15 09 67 015 0437
25 09 67 025 0437



Mounting instructions

The stripped braid should not be fold back to avoid damaging the cable clamp and reducing its performance.



	a	b	c	d	e	f	g	h
9	15.6	15.6	41.0	25.00	33.6	23.0	25.0	17.0
15	15.6	15.6	46.8	33.30	42.0	27.5	30.8	25.1
25	18.8	19.1	52.0	47.04	55.7	31.5	33.8	38.8

D-Sub - W