

Full metal top entry hoods
with premounted threaded inserts

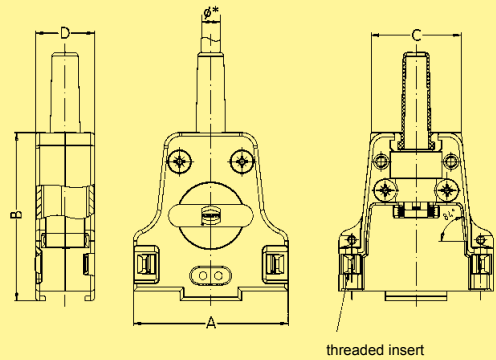
Identification No. of contacts Part No. Drawing Dimensions in mm

Top entry hood

9	09 67 009 032
15	09 67 015 032
25	09 67 025 032
37	09 67 037 032
50	09 67 050 032

Please insert digit
for premounted insert

thread 4-40 UNC	▶ 2
thread M3	▶ 3



Poles	A	B	C	D	Ø F1		Ø F2	Ø F3
					Min.	Max.		
9	31.6	42.0	20.8	15.2	3.0	9.5	6.5	–
15	40.0	43.5	23.3	15.2	3.0	8.5	6.5	12.5
25	53.7	47.5	31.7	15.2	3.0	8.5	8.0	12.5
37	70.2	50.5	48.2	18.2	3.0	12.0	9.0	15.0
50	67.8	50.5	45.8	18.2	3.0	12.0	9.7	15.0

* Cable diameter without rubber bushing = Ø F1
 Cable diameter with rubber bushing = Ø F2
 Cable diameter without rubber bushing
 and without cable reduction plate = Ø F3

Locking hook

09 67 002 9031¹⁾

Latch lock bolt

Front mount

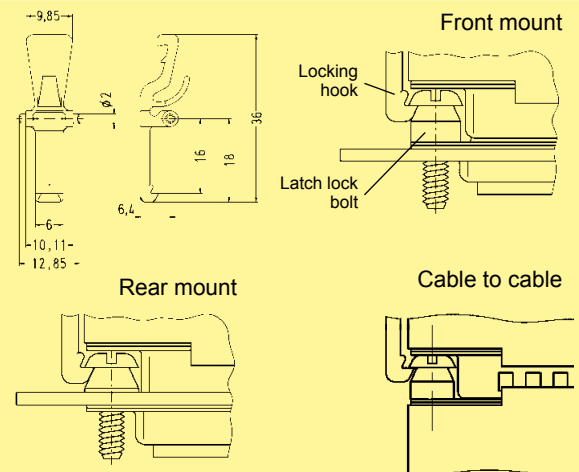
thread 4-40 UNC 09 67 002 9041¹⁾
 thread M3 09 67 002 9042¹⁾

Rear mount

thread 4-40 UNC 09 67 002 9032¹⁾
 thread M3 09 67 002 9040¹⁾

Cable to cable

thread 4-40 UNC 09 67 002 9044¹⁾
 thread M3 09 67 002 9045¹⁾



D-Sub - H

¹⁾ Order 2 for each hood
 Operating temperature for all hoods on this page: -35 °C ... +100 °C