

Full metal top and side entry hoods with different screw options

Identification No. of contacts Part No. Drawing Dimensions in mm

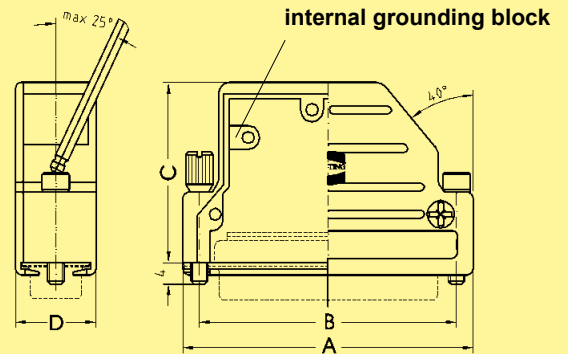
40° side entry hood

with internal grounding block

9	61 03 001	013
15	61 03 001	014
25	61 03 001	015

without internal grounding block

9	61 03 001	013 010
---	-----------	---------



No. of contacts	A	B	C	D
9	31.0	25.0	35.0	15.0
15	39.3	33.3	35.0	15.0
25	53.0	47.0	35.0	15.0

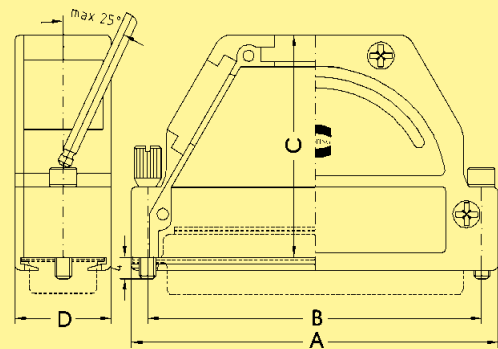
Top/side entry hood

with internal grounding block

9	61 03 001	010
15	61 03 001	016
25	61 03 001	017 ¹⁾
37	61 03 001	018 ¹⁾
50	61 03 001	019 ¹⁾

without internal grounding block

9	61 03 001	010 010
---	-----------	---------



No. of contacts	No. of cable entries	A	B	C	D
9	1 (top)	31.0	25.0	38.0	15.0
15	1 (top)	39.5	33.3	35.0	15.0
25	3	53.0	47.0	43.0	15.0
37	3	69.5	63.5	43.0	15.0
50	3	67.2	61.6	43.0	17.8

Please insert digit for screw option

- Knurled screw, thread 4-40 UNC ▶ 0
- Hexagonal screw, thread M3 with captive washer ▶ 1
- Hexagonal screw, thread 4-40 UNC with captive washer ▶ 2
- Knurled screw, thread M3 ▶ 3

D-Sub - H

¹⁾ Part No. contains two blanking pieces
Operating temperature for all hoods on this page: -20 °C ... +90 °C