



Thermoplastic top and side entry hoods for spring or slide locking

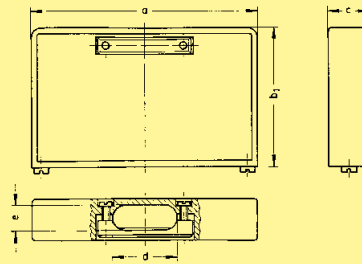
Identification      No. of contacts      Part No.      Drawing      Dimensions in mm

### Top entry hood

9  
15  
25  
37  
50

Thermoplastic grey<sup>2)</sup>  
09 67 009 0411  
09 67 015 0411  
09 67 025 0411  
09 67 037 0411  
09 67 050 0411

Thermoplastic metallized<sup>3)</sup>  
09 67 009 0413  
09 67 015 0413  
09 67 025 0413  
09 67 037 0413  
09 67 050 0413



9-37 way for packaging density of 3 TE (15.24 mm)

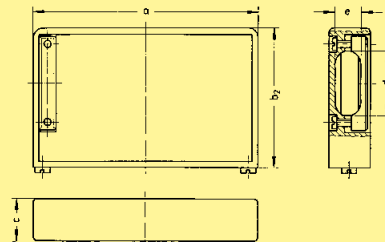
	a	b <sub>1</sub>	b <sub>2</sub>	c	d	e	
						min.	max.
9	31.0	23	28	12.8	10	5.75	9.0
15	39.4	28	28	12.8	10	5.75	9.0
25	53.3	34	34	12.8	14	5.75	9.0
37	69.7	43	43	12.8	20	5.75	9.0
50	67.1	41	41	15.8	20	5.75	11.6

### Side entry hood

9  
15  
25  
37  
50

Thermoplastic grey<sup>2)</sup>  
09 67 009 0511  
09 67 015 0511  
09 67 025 0511  
09 67 037 0511  
09 67 050 0511

Thermoplastic metallized<sup>3)</sup>  
09 67 009 0513  
09 67 015 0513  
09 67 025 0513  
09 67 037 0513  
09 67 050 0513



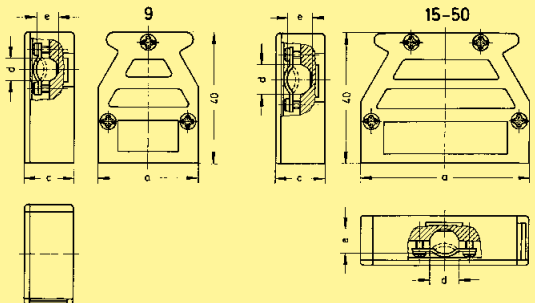
9-37 way for packaging density of 3 TE (15.24 mm)

### Top and side entry hood<sup>1)</sup>

9  
15  
25  
37  
50

Thermoplastic black<sup>4)</sup>  
09 67 009 0452  
09 67 015 0452  
09 67 025 0452  
09 67 037 0452  
09 67 050 0452

Thermoplastic metallized<sup>4)</sup>  
09 67 009 0453  
09 67 015 0453  
09 67 025 0453  
09 67 037 0453  
09 67 050 0453



	a	c	d	e	
				min.	max.
9	31.0	15.4	7	1.7	7.5
15	39.4	15.4	7	1.7	8.0
25	53.2	15.4	9	1.5	8.0
37	69.5	15.4	9	1.5	8.0
50	67.0	17.9	9	1.5	8.0

<sup>1)</sup> 9 poles is only side entry

<sup>2)</sup> Operating temperature: -55 °C ... +120 °C  
<sup>3)</sup> Operating temperature: -35 °C ... +60 °C  
<sup>4)</sup> Operating temperature: -20 °C ... +90 °C