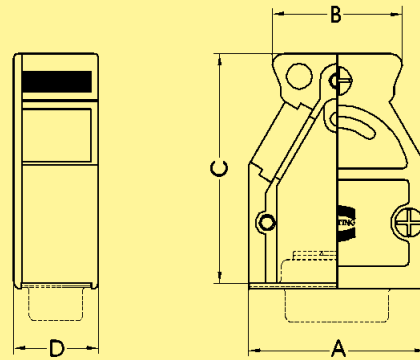


Full metal top and side entry hoods for spring or slide locking

Identification No. of contacts Part No. Drawing Dimensions in mm

Top/side entry hood with spring/slide locking

9 61 03 001 0022¹⁾
 15 61 03 001 0011²⁾
 25 61 03 001 0012²⁾
 37 61 03 001 0021²⁾
 50 61 03 001 0020²⁾



No. of contacts	No. of cable entries	A	B	C	D
9	2	31.0	22.6	40.0	14.8
15	3	39.0	30.6	40.0	14.8
25	3	53.0	42.6	40.0	14.8
37	3	69.5	59.2	40.0	14.8
50	3	67.0	55.0	40.0	17.6

D-Sub - H

¹⁾ Part No. contains one blanking piece
²⁾ Part No. contains two blanking pieces