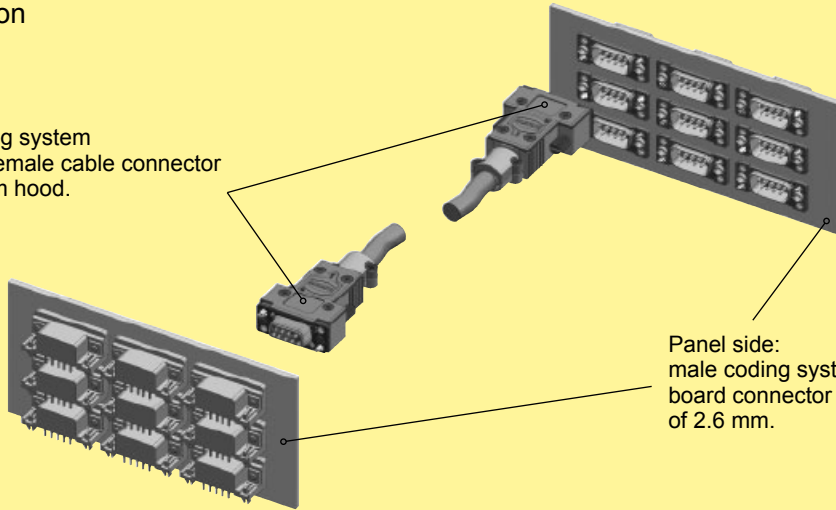


Coding system

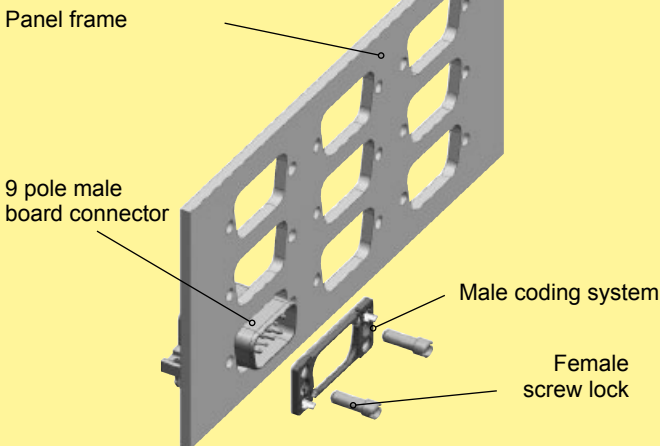
Example of application

Cable side:
female coding system
with 9 pole female cable connector
and InduCom hood.

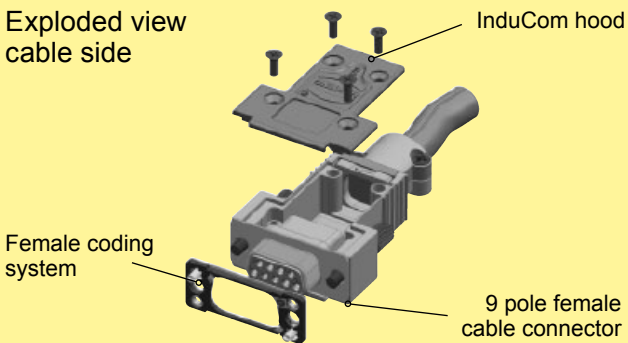


Panel side:
male coding system with 9 pole male
board connector and a board thickness
of 2.6 mm.

Exploded view panel side



Exploded view cable side



Coding key details



Standard coding combination

