

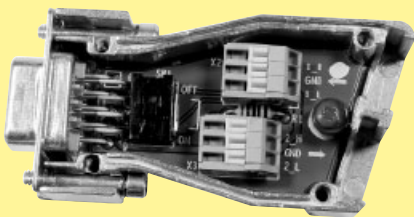
InduCom 9 – Industrial bus interface system

Identification

Part No.

General information

CAN Interface

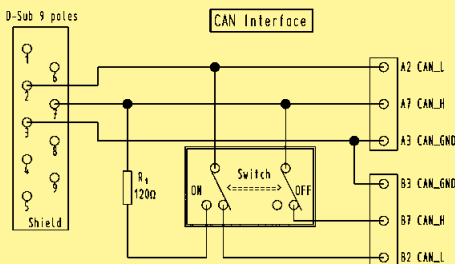


66 63 009 6016

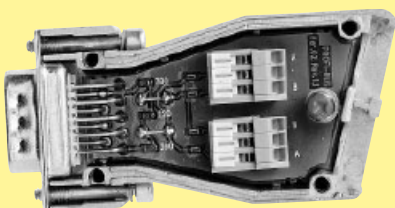
The Controller Area Network (CAN)-Interface is specially designed for usage in trains. With this interface it is possible to realise a T-bus structure with which you can disconnect the bus interface from the control unit without any interruption of the complete bus communication. On the PCB you will have a load resistor which can be activated with the switch.*

Components of the interface set:

- 1 metal housing with 2 cable entries
- 2 hexagonal screws with UNC 4-40 threads
- 1 PCB with 9 way D-Sub female connector and 2 cage clamps
- 1 blanking piece
- 2 crimp flanges
- 2 crimp ferrules



Profibus Interface



66 63 009 6004

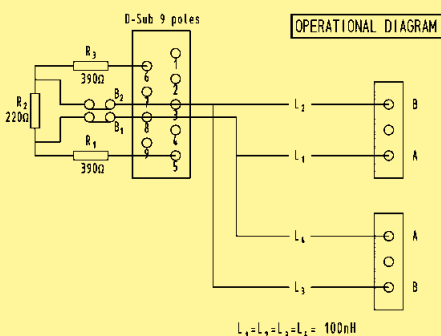
The Profibus Interface is specially designed for usage in trains and in challenging engineering applications.

On the PCB you will have SMD parts which can be activated with solder bridges.

The wires are assembled with the proven vibration resistant cage clamp technology.*

Components of the interface set:

- 1 metal housing with 2 cable entries
- 2 hexagonal screws with UNC 4-40 threads
- 1 PCB with 9 way D-Sub female connector and 2 cage clamps
- 1 blanking piece



$L_1=L_2=L_3=L_4 = 100\text{nH}$

Further bus PCBs on request

* To check compatibility with cable types and manufacturers, please contact your local HARTING representative.