

Full metal top and side entry hoods with knurled screws

Identification No. of contacts Part No. Drawing Dimensions in mm

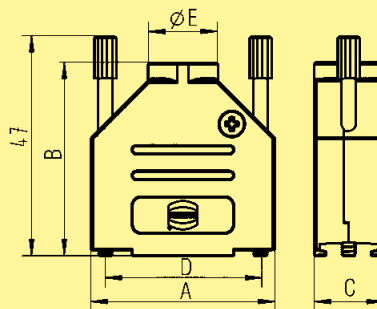
Top entry hood
incl. grommet set
halves

Please insert digit for
screw option

Knurled screw,
thread
4-40 UNC ▶ 3

Knurled screw,
thread M3 ▶ 8

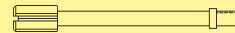
9	09 67 009 034
15	09 67 015 034
25	09 67 025 034
37	09 67 037 034
50	09 67 050 034



Poles	A	B	C	D	E
9	31.0	39.5	14.8	25.0	11.7
15	39.5	41.5	14.8	33.3	11.7
25	53.5	48.5	14.8	47.0	11.7
37	71.0	53.0	14.8	63.5	11.7
50	67.5	54.0	18.7	61.1	17.0

Spare knurled screw
thread 4-40 UNC
thread M3

09 67 002 9029
09 67 002 9101



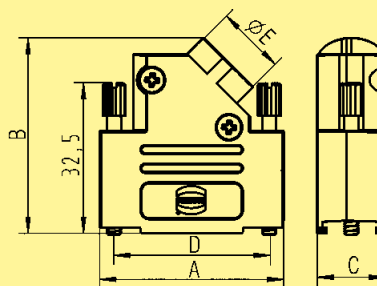
Side entry hood
incl. grommet set
halves

Please insert digit for
screw option

Knurled screw,
thread
4-40 UNC ▶ 3

Knurled screw,
thread M3 ▶ 6

9 ¹⁾	09 67 009 033
15	09 67 015 033
25	09 67 025 033
37	09 67 037 033
50	09 67 050 033



Poles	A	B	C	D	E
9	31.0	37.7	14.7	—	11.7
15	39.5	42.0	14.7	33.3	11.7
25	53.2	41.3	14.7	47.0	11.7
37	69.7	41.8	14.7	63.7	11.7
50	67.4	44.9	17.4	61.1	17.0

Spare knurled screw
thread 4-40 UNC
thread M3

09 67 002 9028
09 67 001 9997



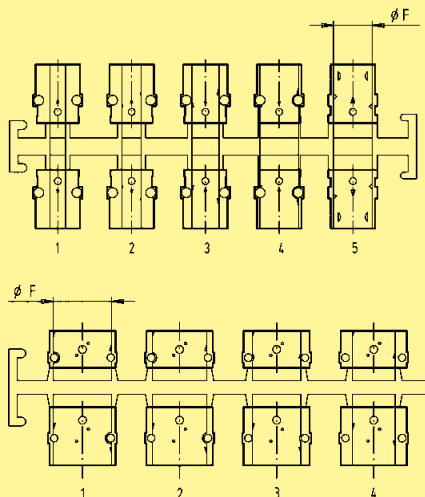
Spare grommet set
halves

9-37 poles

09 67 002 9092

50 poles

09 67 002 9094



Grommet dimensions		
Number	Diameter F	
	9-37 poles	50 poles
1	4.0	15.0
2	5.0	14.0
3	7.0	12.5
4	9.0	11.0
5	10.2	—

¹⁾ 9 pole hood provided with only one screw on the opposite side of the cable entry.
Operating temperature for all hoods on this page: -40 °C ... +120 °C