

Number of contacts

**6-64**



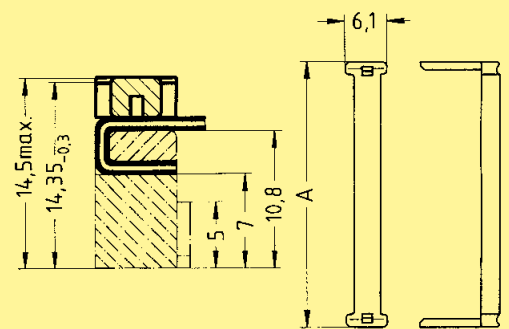
Strain relief clamp/Locking lever

Identification	No. of contacts	Part No.	Drawing	Dimensions in mm
----------------	-----------------	----------	---------	------------------

Strain relief clamp

6	09 18 506 9002
10	09 18 510 9002
14	09 18 514 9002
16	09 18 516 9002
20	09 18 520 9002
24	09 18 524 9002
26	09 18 526 9002
30	09 18 530 9002
34	09 18 534 9002
40	09 18 540 9002
50	09 18 550 9002
60	09 18 560 9002
64	09 18 564 9002

No. of contacts	A
6	12.2
10	17.3
14	22.4
16	24.9
20	30.0
24	35.18
26	37.6
30	42.7
34	47.8
40	55.4
50	68.1
60	80.8
64	85.9



with bulk packaging

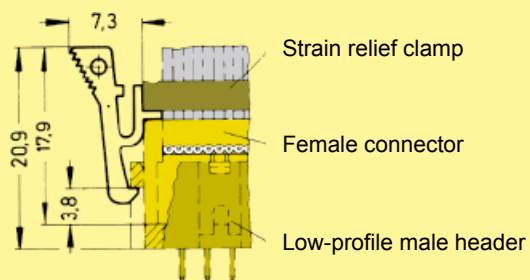
6	09 18 506 9002 58U <sup>3)</sup>
10	09 18 510 9002 58U <sup>3)</sup>
14	09 18 514 9002 58U <sup>3)</sup>
16	09 18 516 9002 58U <sup>3)</sup>
20	09 18 520 9002 58U <sup>3)</sup>
26	09 18 526 9002 58U <sup>3)</sup>
30	09 18 530 9002 58U <sup>3)</sup>
34	09 18 534 9002 58U <sup>4)</sup>
40	09 18 540 9002 58U <sup>4)</sup>

<sup>3)</sup> Packaging unit 5,000 pieces  
<sup>4)</sup> Packaging unit 3,000 pieces

Locking lever for female connector  
 Only in conjunction with low-profile male header and strain relief

09 18 000 9905<sup>1)5)</sup>  
 09 18 000 9905 58U<sup>1)6)</sup>

<sup>5)</sup> Packaging unit 100 pieces  
<sup>6)</sup> Packaging unit 5,000 pieces



When the security of latching is required and space is a premium, these locking levers can be fitted onto the strain relief of the HARTING female connector. This can then be used in conjunction with male low-profile headers (see pages 09.14 and 09.15).

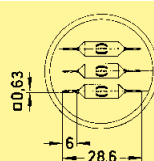
Coding system with loss of contact

Code pin

09 18 000 9901<sup>2)</sup>

Removal tool for male contacts

09 99 000 0133



To avoid cross-plugging adjacent connectors a coding system is required. A code pin is inserted into the appropriate cavity in the female connector. The corresponding male contact is removed by a special removal tool.



<sup>1)</sup> Order 2 per female connector  
<sup>2)</sup> Part No. comprises 6 code pins