

Number of contacts

10-50



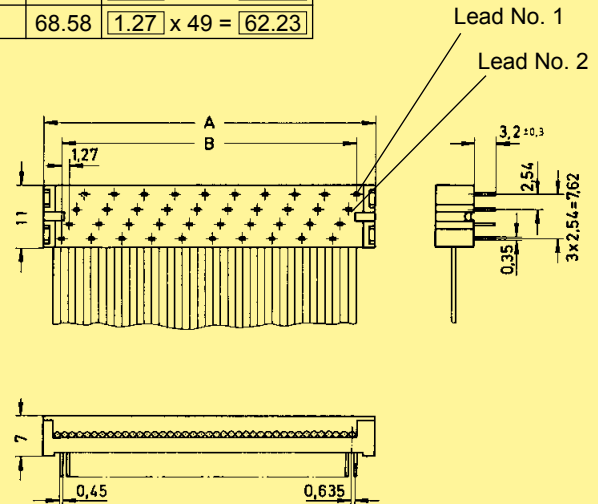
Pcb transition connector, 4 rows

Identification      No. of contacts      Part No.      Drawing      Dimensions in mm

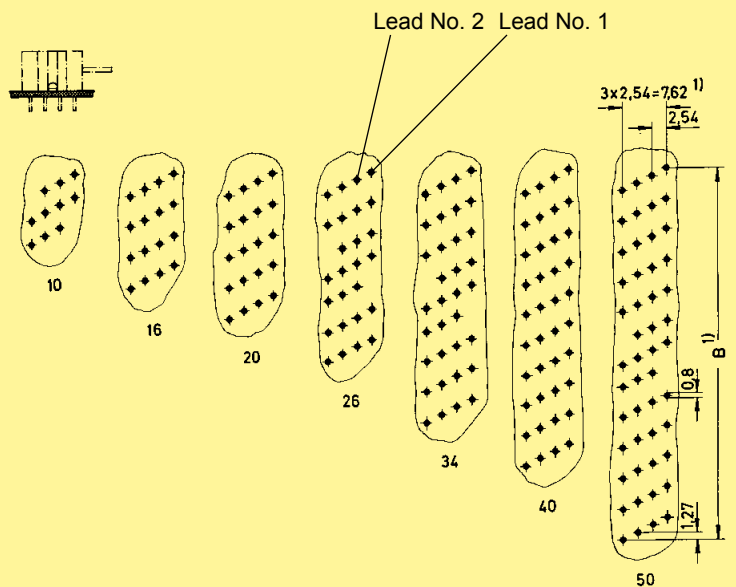
Pcb transition connector<sup>2)</sup>  
4 rows

10	09 19 010 9643*
16	09 19 016 9643*
20	09 19 020 9643*
26	09 19 026 9643*
34	09 19 034 9643*
40	09 19 040 9643*
50	09 19 050 9643*

No. of contacts	A	B
10	17.78	1.27 x 9 = 11.43
16	25.40	1.27 x 15 = 19.05
20	30.48	1.27 x 19 = 24.13
26	38.10	1.27 x 25 = 31.75
34	48.26	1.27 x 33 = 41.91
40	55.88	1.27 x 39 = 49.53
50	68.58	1.27 x 49 = 62.23



Board drillings



\* Not normally kept in stock

<sup>1)</sup> Pitch tolerance: ± 0.1

<sup>2)</sup> Not released for halogen free flat cables