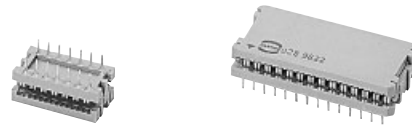


Number of contacts

14-40



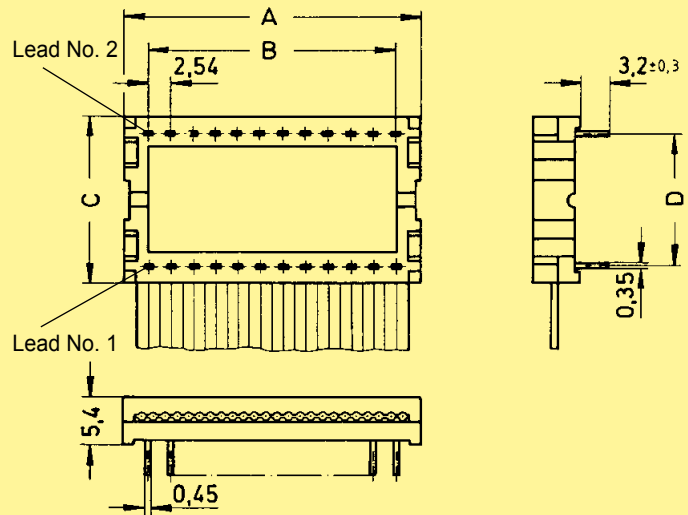
DIP connector for IC base or for soldering into pcb

Identification No. of contacts Part No. Drawing Dimensions in mm

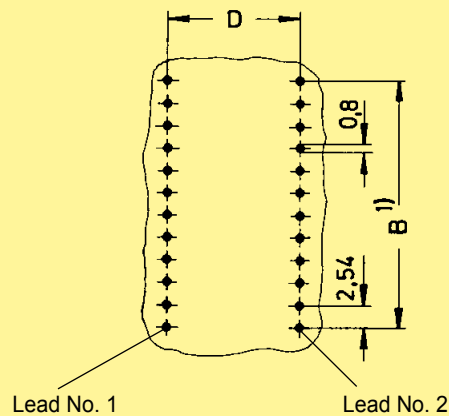
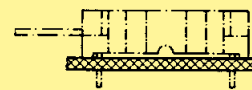
DIP connector²⁾

14	09 17 014 9622*
16	09 17 016 9622*
24	09 17 024 9622*
28	09 17 028 9622*
40	09 17 040 9622*

No. of contacts	A	B	C	D
14	20.5	2.54 x 6 = 15.24	11	7.62
16	23.0	2.54 x 7 = 17.78	11	7.62
24	33.0	2.54 x 11 = 27.94	18.7	15.24
28	38.1	2.54 x 13 = 33.02	18.7	15.24
40	53.3	2.54 x 19 = 48.26	18.7	15.24



Board drillings



SEK

* Not normally kept in stock
 1) Pitch tolerance: ± 0.1
 2) Not released for halogen free flat cables