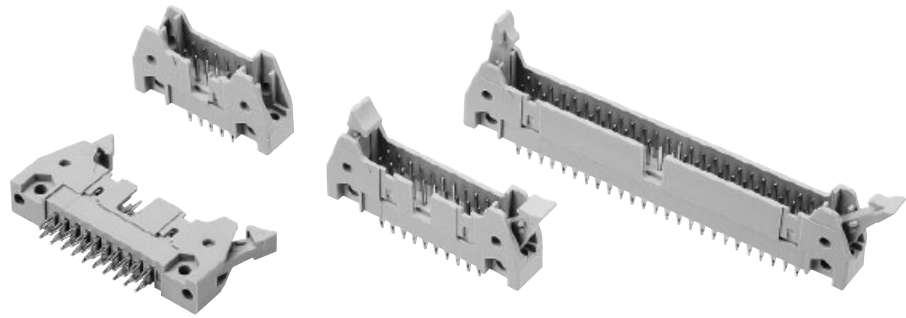


Number of contacts

10-64

Male header,
straight press-in pins



Identification

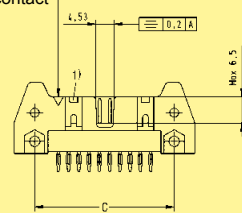
Drawing

Dimensions in mm

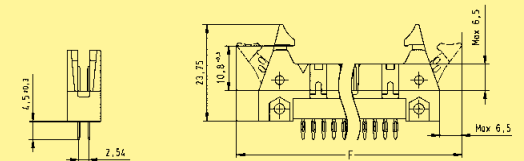
Male header

No. of contacts	A	C	D	E	F	G
10	32.11	21.84	17.91	2.54 x 4 = 10.16	45.11	50.11
14	37.19	26.92	22.99	2.54 x 6 = 15.24	50.19	55.19
16	39.73	29.46	25.53	2.54 x 7 = 17.78	52.73	57.73
20	44.81	34.54	30.61	2.54 x 9 = 22.86	57.81	62.81
26	52.43	42.16	38.23	2.54 x 12 = 30.48	65.43	70.43
34	62.59	52.32	48.39	2.54 x 16 = 40.64	75.59	80.59
40	70.21	59.94	56.01	2.54 x 19 = 48.26	83.21	88.21
50	82.91	72.64	68.71	2.54 x 24 = 60.96	95.91	100.91
60	95.61	85.34	81.41	2.54 x 29 = 73.66	108.61	113.61
64	100.69	90.42	86.49	2.54 x 31 = 78.74	113.69	118.69

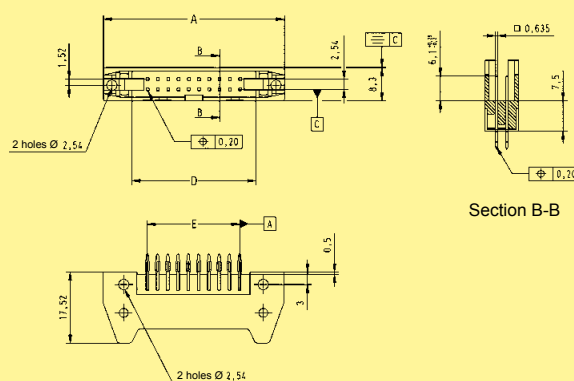
Marking
No. 1 contact



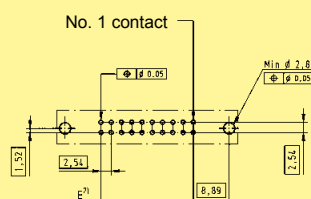
Short levers



Long levers



Board drillings



1) No polarization slot for 10 or 14 way male header

2) Pitch tolerance: ± 0.1