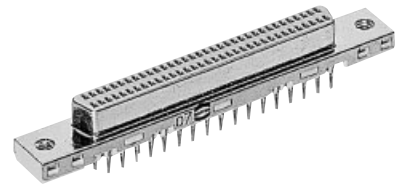


Number of contacts

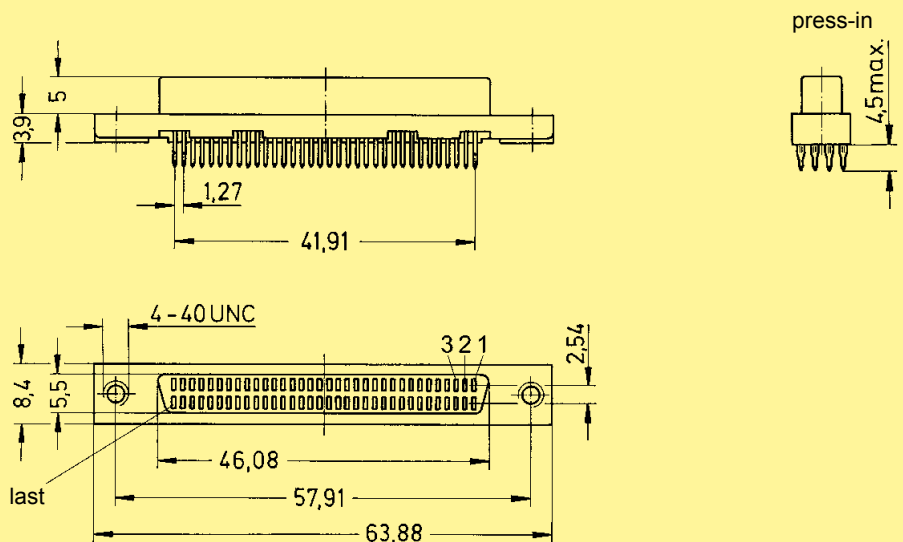
**68**



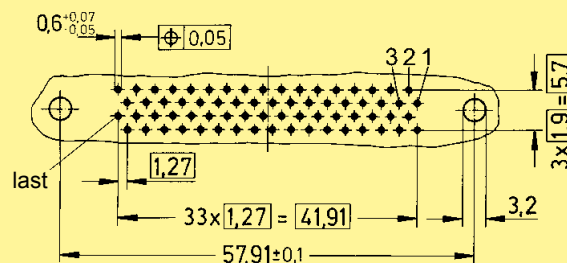
Female connectors, straight

Identification	No. of contacts	Part No.
Female connector with straight press-in pins	68	60 02 068 5322

Dimensions



Board drillings  
(Components side)



Dimensions in mm

Press-in technology