

Number of contacts 9, 15, 25, 37

Working current 5 A

Test voltage  $U_{r.m.s.}$  1 kV

Clearance and creepage  $\geq 1.0$  mm

Contact resistance  $< 25$  m $\Omega$   
 Insulation resistance  $> 5$  G $\Omega$

Temperature range as per profile JEDEC 020 D

Terminations Solder pins for P.C.B. pads

**Materials**

Mouldings LCP black  
 UL 94-V0

Contacts Phosphorus bronze

Grounding die Zamac

Shell Steel

**Contact surface**

Contact zone selectively plated  
 acc. to performance level<sup>1)</sup>

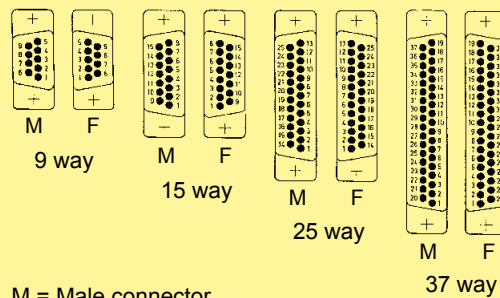
Grounding die Pure tin

Shell Nickel plated

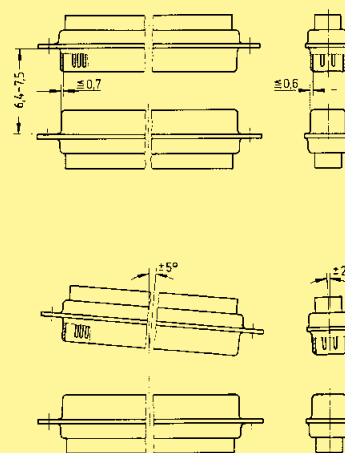
**Mating force**

9 way  $\leq 30$  N  
 15 way  $\leq 50$  N  
 25 way  $\leq 83$  N  
 37 way  $\leq 123$  N

**Contact arrangement View from termination side**



**Mating conditions as per DIN 41 652**



SMT technology

<sup>1)</sup> Performance level 3, 50 mating cycles, no gas test  
 Performance level 2 as per CECC 75 301-802, 250 mating cycles, 4 days 4 mixed gas test – IEC 60 512