

Number of contacts

9–37



SMT stamped solder pins, angled with grounding board locks

Identification

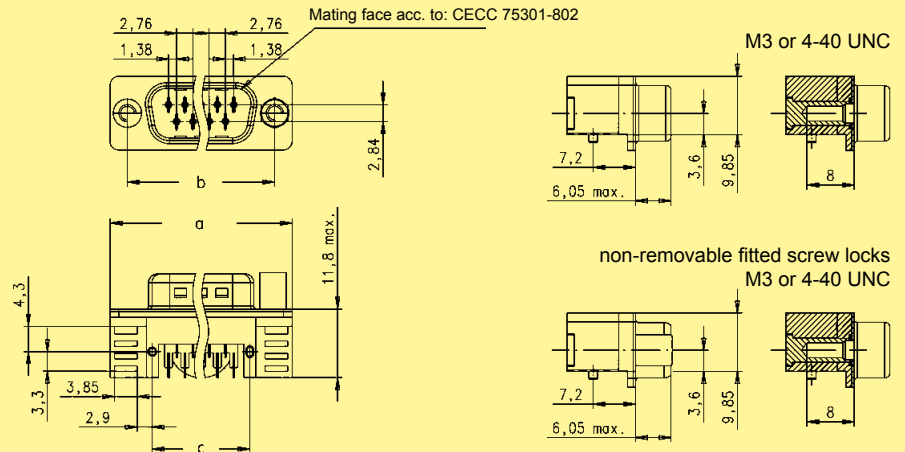
Drawing

Dimensions in mm

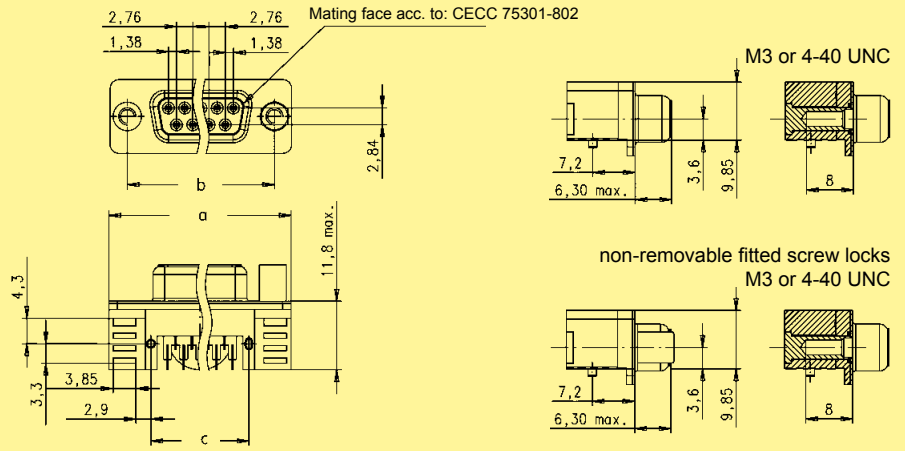
Male connector

M3 or 4-40 UNC

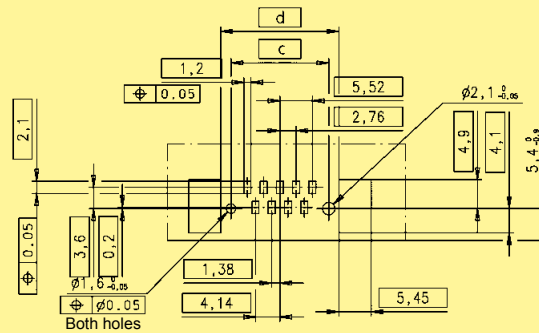
non-removable fitted screw locks M3 or 4-40 UNC



Female connector



pcb layout



	a	b	c	d
9	31.10	24.99	16.60	20.1
15	39.52	33.32	24.90	28.4
25	53.29	47.04	38.64	42.1
37	69.60	63.50	55.10	58.6

Packaging

(1 reel = 160 pieces)  
Reel diameter = 330 mm

