

Number of contacts

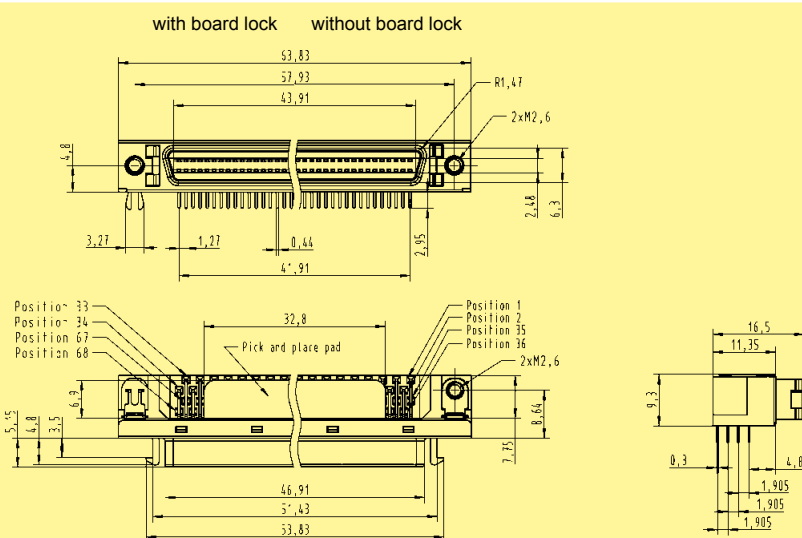
68



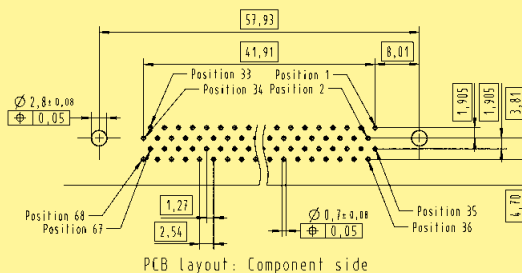
SMC female connectors, angled

Identification	No. of contacts	Part No.
SMC female connectors with angled solder pins and pick & place pad	68	60 11 068 5739
	68	60 11 068 5749

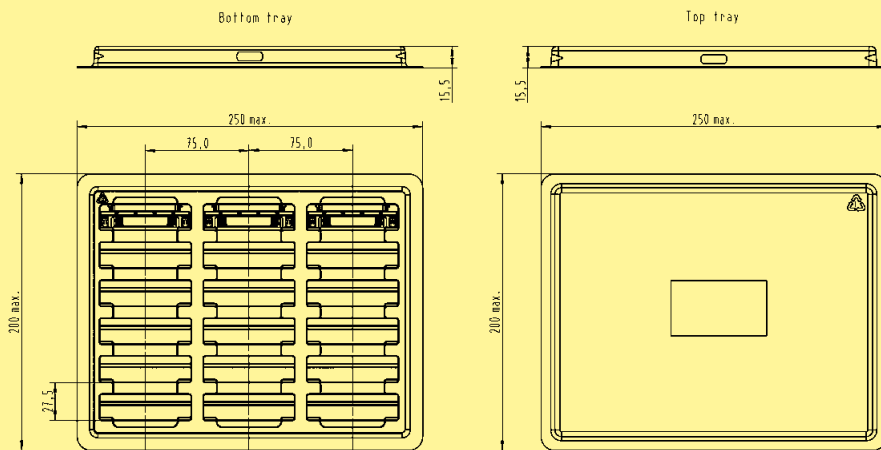
Dimensions



Board drillings (Components side)



Packaging (1 tray = 18 pieces)



Dimensions in mm

SMC technology