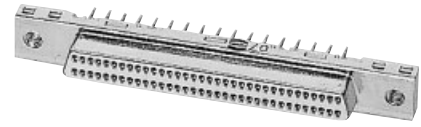


Number of contacts

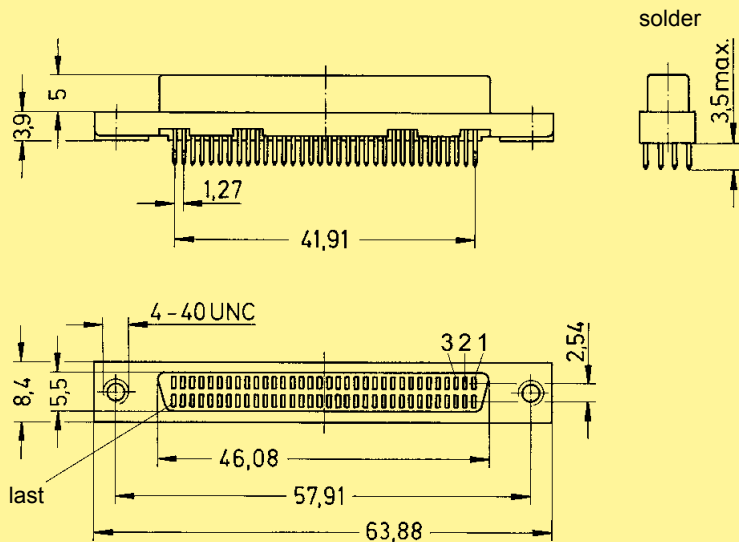
68



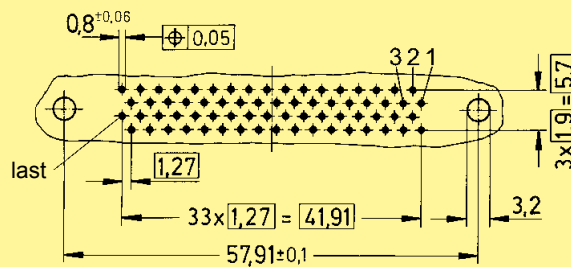
SMC female connectors, straight

Identification	No. of contacts	Part No.
SMC female connector with straight solder pins	68	60 02 068 5120

Dimensions



Board drillings  
(Components side)



Dimensions in mm

SMC technology