

HARTING modular tooling adapted to customer specific needs

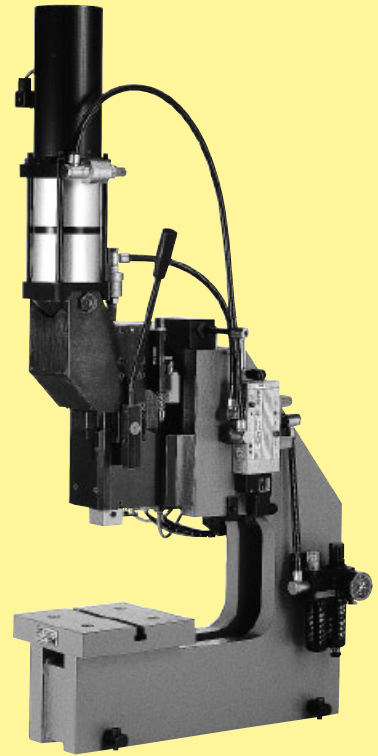


Hand bench press

- Easy to install
- No need of electrical or pneumatic power
- Ideal for prototyping and small series

Pneumatic press

- Easy handling
- Limitation of press-in force adjustable
- Ideal for medium series



CPM *prestige*



The state of the art CPM press-in machine

- Fully programmable press-in machine
- Ideal for volume series



Bestseller **CPM *prestige*** with insertion removal station, adaptable to all HARTING press-in machines