

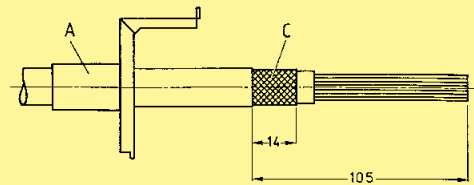


Tool / Assembly instructions

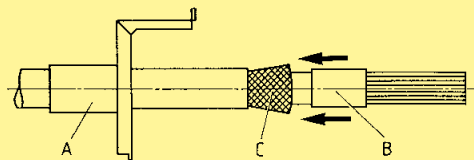
Identification	No. of contacts	Part No.	Drawing	Dimensions in mm
Crimp tool for screened hoods		09 99 000 0233		
Crimp tool dies	9	09 99 000 0235		
	15	09 99 000 0235		
	25	09 99 000 0236		
	37	09 99 000 0237		

Assembly instructions for screened hoods

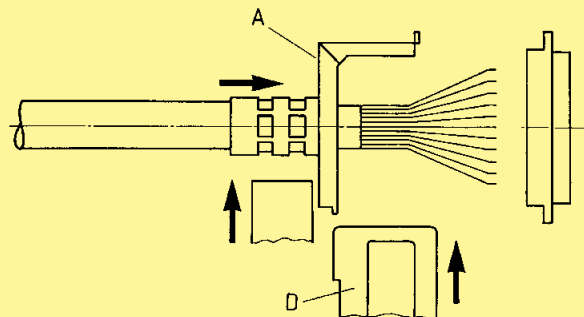
Place the metal screen part (A) on the cable. Prepare the cable for termination.



Place the inner ferrule (B) between conductors and the outer braid (C).



Terminate the D-Sub connector. Put the metal screen part (A) over the braid and crimp directly over the inner ferrule, ensuring that the correct crimp tool die is used. Slide in the other metal screen part (D).



Push back the terminated connector into the assembled screen.

Put the assembled connector, screen and knurled screws into the thermoplastic hood and snap closed.

